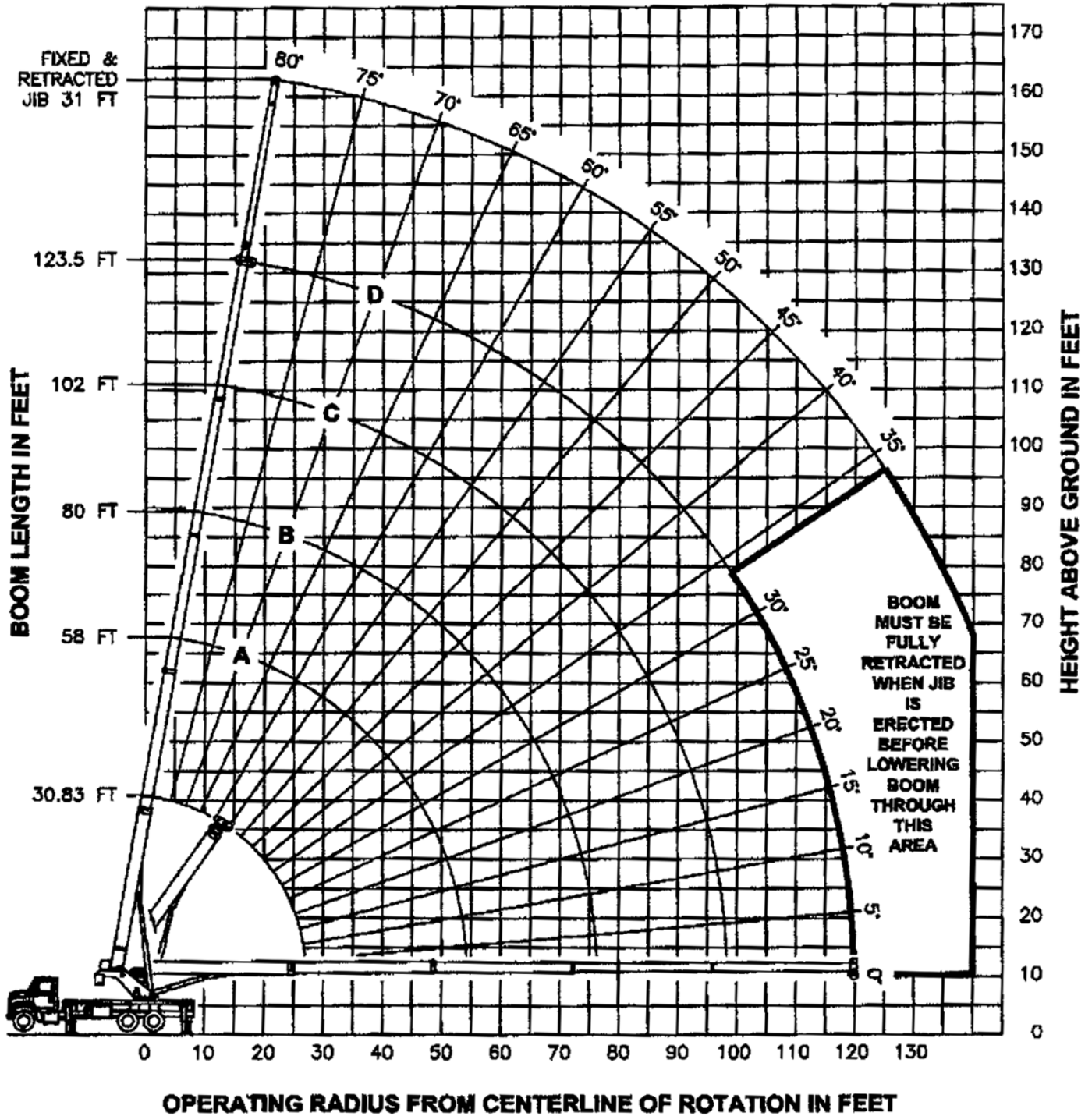
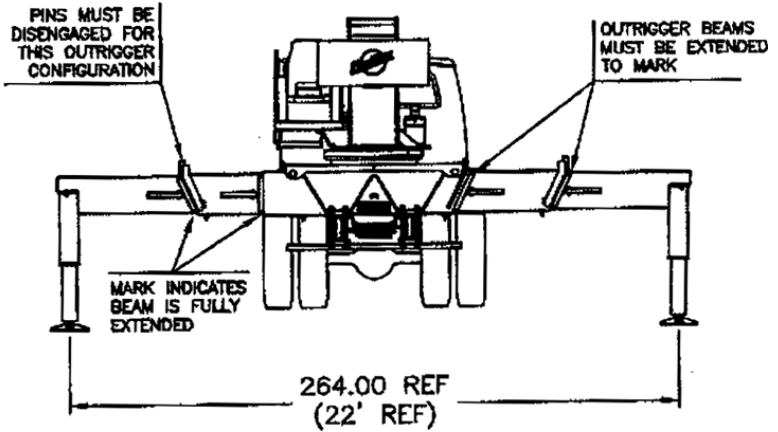


RANGE DIAGRAM - FULLY EXTENDED OUTRIGGER CONFIGURATION -



**USE THIS CHART ONLY
WHEN ALL
OUTRIGGERS ARE
FULLY EXTENDED**



- FULLY EXTENDED OUTRIGGER CONFIGURATION -

LOAD RATINGS IN LBS WITH ALL OUTRIGGERS FULLY EXTENDED										JIB LOAD RATINGS IN LBS WITH ALL OUTRIGGERS FULLY EXTENDED				
OPERATING RADIUS FT	LMI CODE #1									OPERATING RADIUS FT	LOADING BOOM ANGLE	LMI CODE #2		
	LOADED BOOM ANGLE BOOM LENGTH AND MARKER		A		B		C		D			31 FT JIB FOR ALL BOOM LENGTHS SEE WARNING NOTE 4	RATED LOAD IN POUNDS	
	30.83 FT	58 FT	80 FT	102 FT	123.5 FT									
5	75	76000												
8	69	60500												
10	64	52550												
12	60	46600	75	25000										
15	53	39600	73	25000	79	21500								
20	40	31330	67	25000	75	19700	80	14500						
25	22	24100	62	22840	71	18200	77	13500	80	8450	25			
30			56	19550	67	16250	74	12820	78	8150	30	80	4000	
35			49	18100	63	14540	71	11380	75	7800	35	78	3850	
40			42	12900	59	13070	68	10160	72	7280	40	76	3700	
45			34	10540	54	10800	65	9370	70	6780	45	74	3550	
50			23	8720	50	9000	61	8430	67	6160	50	72	3400	
55					44	7570	58	7620	65	5540	55	70	3250	
60					39	6400	54	6530	62	5000	60	68	3080	
65					32	5430	50	5570	59	4520	65	66	2910	
70					24	4610	46	4760	56	4090	70	64	2750	
75					12	3900	42	4060	53	3700	75	62	2600	
80							37	3470	50	3350	80	60	2460	
85							32	2940	47	3020	85	58	2320	
90							25	2480	43	2580	90	55	2170	
95							17	2080	40	2150	95	53	1930	
100									35	1790	100	51	1720	
105									31	1460	105	48	1530	
110									25	1160	110	45	1350	
115									18	880	115	43	1200	
120											120	40	1020	
125											125	36	800	
		450 LBS	240 LBS	180 LBS	140 LBS	120 LBS	DEDUCTIONS FOR STOWED JIB							